

## VRX

### VRX2-10-040T

#### Product Description

The DutyPoint VRX is a premium, ultra high efficiency and space saving booster set for commercial and industrial applications.

The VRX features high efficiency IE5 motors and class leading motor mounted variable speed drives with large colour LCD displays and intuitive user HMI.

The system is designed to be straightforward to maintain, both electrically and mechanically, for maintenance or pump replacement while the booster set is operating.

#### WRAS

- WRAS approved

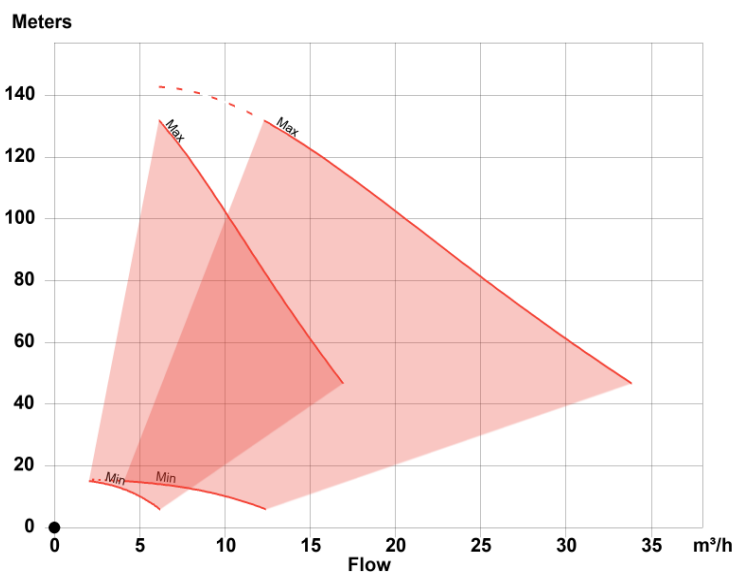
#### Control Panel

- Variable speed pumps
- IE52 high system efficiency
- Volt free contacts for common fault and low water level
- IIOT Ready

#### Protection

- **Anti-Seize technology** which rotates all pumps during low or zero usage and prevents the pumps from seizing up.
- **Burst pipe protection** which constantly monitors the system for signs of major leakage. If detected, an alarm is activated followed by full system deactivation if the required duty is still not met.
- **Cyclic duty** changeover which ensures even wear across all pumps in the system.
- **Low Water Protection** technology which deactivates the pumps if there is no water in the break tank, protecting against dry running.
- **HiRISE** technology which protects the building's pipework by ensuring the pumps start slowly during the initial fill process or following power failure to prevent potentially dangerous surges and consequent damage to the riser. Set Performance

#### Performance



## PRODUCT DATA SHEET



#### Specification

<b>Suction connection</b>	DN65
<b>Discharge connection</b>	DN65
<b>Maximum working pressure</b>	16.00 bar
<b>speed_text</b>	Variable
<b>IP_Protection</b>	IP55
	4.00 kW
<b>Weight_incl_Fittings</b>	210.00 kg
<b>Vessel_Size</b>	8.0 L
<b>Number of pumps</b>	2

## Electrical Data

<b>Mains connection</b>	3~ 400V/50Hz
<b>Current per pump</b>	7,7 A
<b>Operating speed range</b>	1800-3600 rpm
<b>Frequency range</b>	30-50 Hz

## Model Codes

VRX2-10-040T

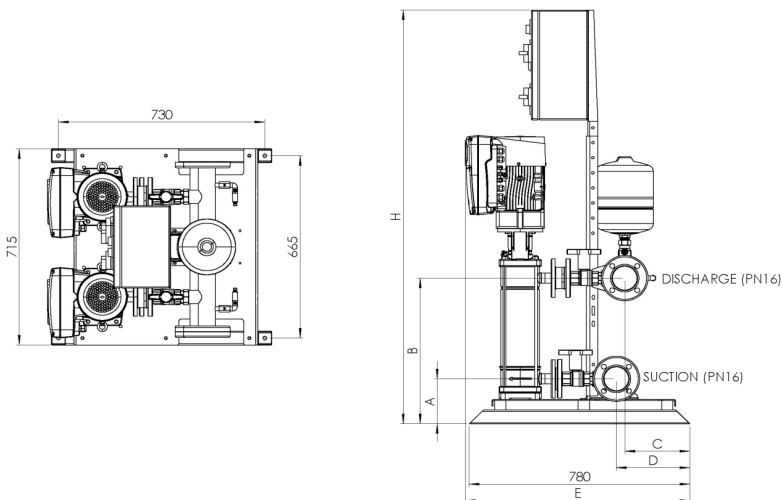
Range

No of Pumps

Nominal flow in m<sup>3</sup>/h

Motor kW per Pump

## Technical Drawings



## Drawing dimensions

<b>Dimension A</b>	169 mm
<b>Dimension B</b>	444 mm
<b>Dimension C</b>	171 mm
<b>Dimension E</b>	794 mm
<b>Dimension H</b>	1,455 mm

Performance

---

